

Barcoding/Sorting Systems

blends machine control and cloud connectivity into one platform. The HivePilot Machine Controller provides embedded precision and reliability on-site, while the HiveLink Portal ensures secure access to sort profiles, customer information, and performance data from anywhere. By combining robust local control with centralized cloud management, Apian Sort eliminates disruptions, minimizes errors, and ensures smooth operations across multiple sites and machines simultaneously.

FEATURES: Apian Sort supports digital commingle with Mail.dat files, streamlines reporting and USPS form creation, and enables multi-site management.

See *Engineering Innovation listing in Analytics Software*.

CONTACT: For more information call 800-350-6450 or email sales@eii-online.com.

§ Tritek Technologies, Inc.

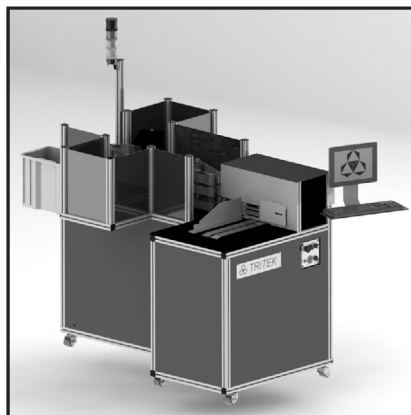
CATEGORY: Barcoding/Sorting Systems

PRODUCT: Tritek Sorting & Processing Equipment

COMPANY: Tritek Technologies, Inc., 1-B Medori Boulevard, Wilmington, DE 19801. Contact: Sales Email: solutions@tritek.com Phone: 302-223-4065

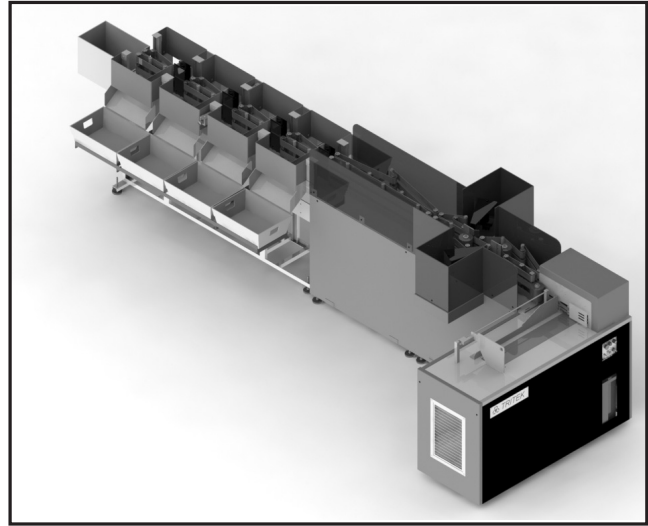
DESCRIPTION: Tritek is one of the most respected and recognized innovators of mail processing technology. Since 1988, Tritek has engineered patented, field-proven mailroom automation and document imaging solutions that improve productivity and mailroom cost-efficiency. Proprietary technology allows Tritek to exclusively manufacture a machine able to process the entire mail stream simultaneously on the same transport. This technology can be customized to support diverse industries. Tritek's clients include Fortune 100 and 500 companies, government and educational institutions, financial services, healthcare, insurance and fulfillment organizations. Tritek is headquartered in Wilmington, Delaware and has relationships with businesses worldwide.

TRITEK COMPACT: The Tritek Compact Series Equipment features a small footprint size for letter mail, flats and document processing.



Tritek Compact Elite

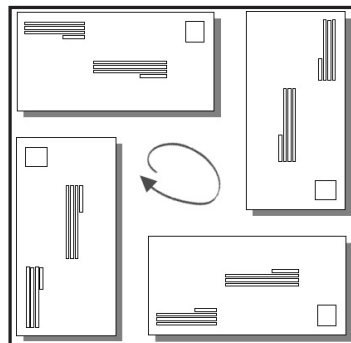
The compact design allows for large imaging over 300 dots per inch scanned omni directionally. Tritek's 12 by 17 inch scan area enables entire 8.5 by 11 inch documents to be scanned. It also scans legal sized documents. The Compact series is designed to time



Tritek Compact Sorting System

and date stamp documents and mail. It is Sarbanes Oxley compliant - a record is created and stored to a file. These records can then be searched or emailed whenever required. The mail piece is duplex scanned front and back side as well as documents.

COMPACT ELITE: The Compact Elite is designed for email processing and imaging. The scan area enables complete front and back side imaging. These images are stored, time and date



Read Address From Any Direction

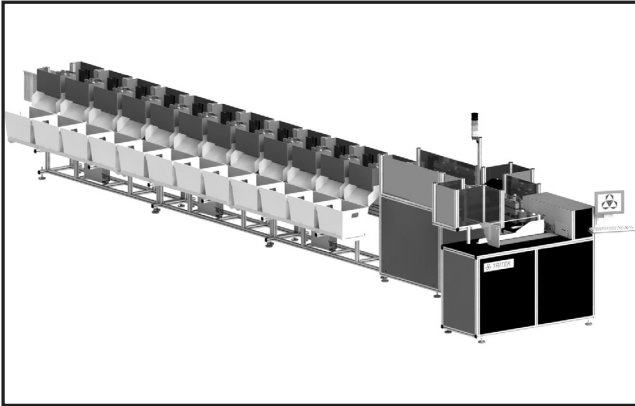
stamped for records retention or email delivery. The small footprint Compact Elite features large scale imaging in a compact machine size. The Compact Elite is less than 8 feet in length. The machine uses standard electrical power 115 volt AC. The Compact Elite interfaces with Tritek's Email Delivery System and

Tritek Rule Editor Database Management Software. The Compact Series can be fitted with an ink jet printer or any number of Tritek sort bins or optional features. The standard machine has two sort bins for sorting processed items or rejected pieces.

TRITEK BARCODING/SORTING SYSTEMS: Presort Mail (Weighing, Labeling and Manifesting); Process flats, letters, and mixed mail (postcards, letters, flats, magazines, newspapers); USPS MASS certified processing allows for presort discounts; Customize configurations to your needs: weighing, labeling, manifesting, barcoding, report printing, trays or bundles.

INBOUND SORTING SYSTEMS: No matter how you flip it, Tritek equipment can read it, sort it, store it and track it. The Tritek sorting machine is designed to read the address of all

Barcoding/Sorting Systems



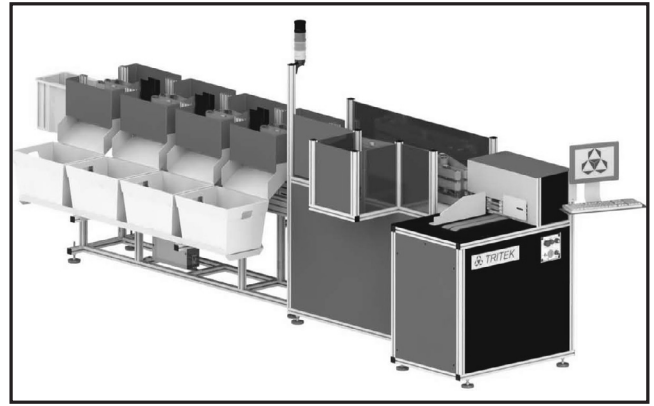
Tritek Mixed Mail Sorter

mail pieces regardless of what direction they are fed into our machine. Tritek has the only mail processing equipment that can read envelopes, magazines, newspapers, poly-wrapped pieces in any direction in a 12" x 17" viewing area, without adjustments, even on the front and backside of the mail piece! The recognition software captures an image of the entire document in grayscale (other reading applications can be integrated if desired). The image can then be stored and tracked.

INBOUND SORTING FEATURES: Tritek's patented transport is the only machine that can process postcards, letters, flats, and newspapers and sort them into your custom configuration of bins - up to 1024. Reads OCR, barcodes, type, script font and handwritten addresses. All Tritek sorters feature our advanced Optical Character Recognition to interpret script fonts and handwritten addresses. Our systems have automated printing capabilities, allowing the destination barcode to be printed on the mail piece during the sorting process. Whether your inbound mail address is typed or handwritten, Tritek's sorting machine can easily read and sort for you.

NOMAD - HIGH RESOLUTION PORTABLE DOCUMENT SCANNER: The Nomad is portable, plugs into 120V AC receptacles, and can read any type of document or envelope. It handles odd shapes such as handwritten notes, forms, or letters and any thickness ranging from single sheets to magazines. The high resolution 300 dpi imaging creates TIFF, PEG or PDF files in black & white or color. The workflow of all Tritek document scanning machines is highly configurable and integrates well with third-party software applications. While Tritek includes Doc-U-Search - our own leading-edge storage and retrieval software - the operator can select alternate applications to perform image capture, post-scan processing or document indexing and storage.

DIGITAL EMAIL DELIVERY: An ideal solution for when you are out of the office and need to retrieve your mail. The Tritek Digital Email System is designed to deliver email notification of inbound mail to its recipients, as it is received each day, for internal company-mail distribution. You can also use the Tritek Digital Email System to deliver by email scanned images of contents of any mail piece.



Tritek Correct Elect Vote-By-Mail

DIGITAL EMAIL DELIVERY FEATURES: The Tritek Digital Email System: 1) Scans and captures images of both sides of an incoming mail piece; 2) Stores each image in a TIFF, JPEG, or PDF file; 3) Labels each image with the time and date received; 4) Labels each image with a unique identification number. The Tritek Digital Email System is available in various configurations and depending on the configuration, a Tritek Digital Email System can either sort the mail into a holding tub for future mail piece scanning or automatically sort the mail for in-house mail carrier delivery.

TRITEK ACE PARCEL/FLATS/LETTER PROCESSING: The Tritek ACE workstation is designed to process parcels, flats and letters. ACE



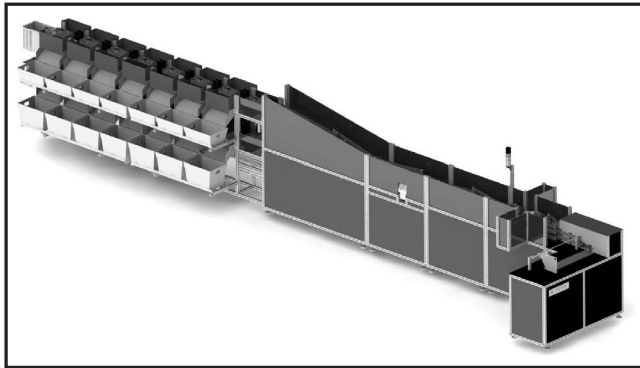
Tritek MobileACE Workstation

Work Station operation is simple, fast, and reliable. Operators place an item on the platform while an overhead camera reads the mail piece which is displayed on the touch screen computer. After the item is read the operator touches the red print button and a label is printed for that mail item. The weight and postage rate is calculated as the manifest data is stored for USPS discount reporting.

The system automatically reads addresses and performs the following:

INCOMING MAIL/PARCELS: 1) Database match and look-up; 2) Label printing with delivery information; 3) Barcoding for tracking of barcoding/Sorting Systems mail pieces or parcels; 4) Return mail processing; 5) Mail forwarding; 6) Research mail for generically addressed mail pieces; 7) Touch screen computer for easy operation. Tritek Incoming Look-Up Database: Tritek Incoming Mail Software allows many options to sort incoming mail. This document describes the basic system as well as options that allow for greater customization. When processing by names only, the Tritek system

Barcoding/Sorting Systems



Tritek Multi-Level Sorter

will locate an address (in any orientation), and search for all names in the names database.

OUTGOING MAIL/PARCELS: When used for presorting, ACE performs: 1) USPS manifesting / weighing; 2) Prints label for each processed mail item; 3) Automated Tritek address block OCR reader; 4) USPS U-Move Fast Forwarding; 5) DRS look-up for USPS Presort discounts; 6) IMB - Intelligent Mail barcode printed on label manually affixed to item.

RETURN MAIL: Tritek equipment expunges bad addresses from your database to save on future postage. Easily interfaces with FastForward for MOVE updates. Tritek has successfully operated a return mail facility for 15 years, processing mail for Chase, Citigroup and Morgan Stanley.

CORRECT ELECT VOTE-BY-MAIL: Tritek Correct Elect Vote-by-Mail Equipment is the solution for the processing of Vote-by-Mail ballots envelopes. Voters' signatures are detected and using barcodes are verified against a database of registered voters. Tritek offers its Correct Elect Vote-by-Mail Processing Systems in three configurations: 1) An inbound sorter to support up to 1024 bins, optional overhead mail tray racks and other sorting options; 2) A portable system; 3) A desktop unit. These machines include real-time imaging, storing, printing of time and date in addition to properly sorting votes into correct precincts. Patented feeder technology allows smooth operations over a variety of envelope types.

CORRECT ELECT VOTE-BY-MAIL FEATURES: Tritek holds the exclusive patent on ballot method and apparatus to provide full audit trail, ballot process management and status reporting. Scans can be archived in color, gray-scale or black and white. Accurate signature verification reduces labor costs of manual or semi-automatic validation and improves regulatory and security compliance. Voters' signatures are detected with barcodes and are verified against a database of registered voters. The Tritek inbound sorter can support up to 1046 bins, optional overhead mail tray racks, and other sorting options. We also offer a portable system and a desktop unit. These machines include real-time imaging, storing, printing of time and date in addition to sorting votes into correct precincts.

CONTACT: To learn more about Tritek call 302-223-4065 or visit www.tritek.com or email solutions@tritek.com.

Bursters/Cutters/Processors

§ Spedo US, Inc.

CATEGORY: Bursters/Cutters/Processors

PRODUCT: SPEDO Continuous Forms Cutters

COMPANY: Spedo US, Inc., PO Box 1032, Reisterstown, MD 21136-1032 Contact: James Wroe Email: support@spedo.us. Phone: 866-773-3687 or 410-517-1690. Web: www.spedo.us

SPEDO 2200 FORMS CUTTER: This new cutter offers a simple finishing solution while maintaining Spedo's well



Spedo 2200 Forms Cutter

proven quality, reliability and flexibility. The modular design of the entry level 2200 allows each machine to be tailored to suit each application. Running at speeds of up to 90 m/min (300 ft/min), the Spedo 2200 forms cutter is the perfect solution to offline or near line finishing applications.



Spedo 2400 Forms Cutter

SPEDO 2400 FORMS CUTTER: In addition to the base model 2300, the new SPEDO 2400 Forms Cutter offers more. An intuitive touch-screen operator panel includes on screen parts catalog and gives total control over all aspects of the machine's functionality. Exact speed settings, to a tolerance of one foot per minute for easier system interface. Over lifetime total counter and language interpretation. A new infeed system improves cut accuracy and web control. The most noticeable addition is the open side for easier waste removal when running online or in system. Equally important is what hasn't changed: long-service life.



Spedo 2500 Forms Cutter

SPEDO 2500 HIGH SPEED FORMS CUTTER: The SPEDO 2500 High Speed Forms Cutter allows the user to process continuous forms at up to 125 A4 forms/minute (approximately 400ft/min). Using Spedo's well proven control system and intuitive touch screen the SPEDO 2500 offers total control and flexibility while running both off and