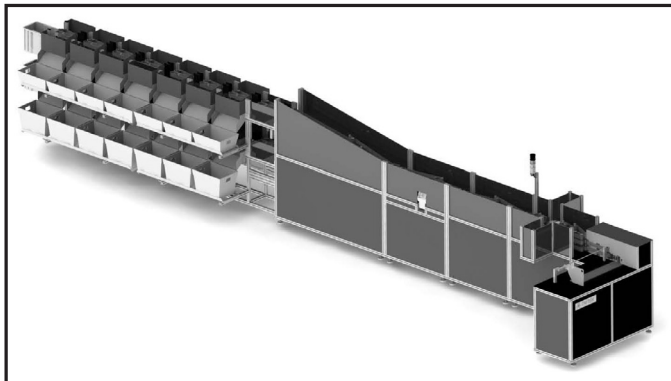


# Barcoding/Sorting Systems



*Tritek Multi-Level Sorter*

## § Tritek Technologies, Inc.

**CATEGORY:** Barcoding/Sorting Systems

**PRODUCT:** Tritek Sorting & Processing Equipment

**COMPANY:** Tritek Technologies, Inc., 1-B Medori Boulevard, Wilmington, DE 19801. Contact: Sales Email: solutions@tritek.com Phone: (866) 663-8224

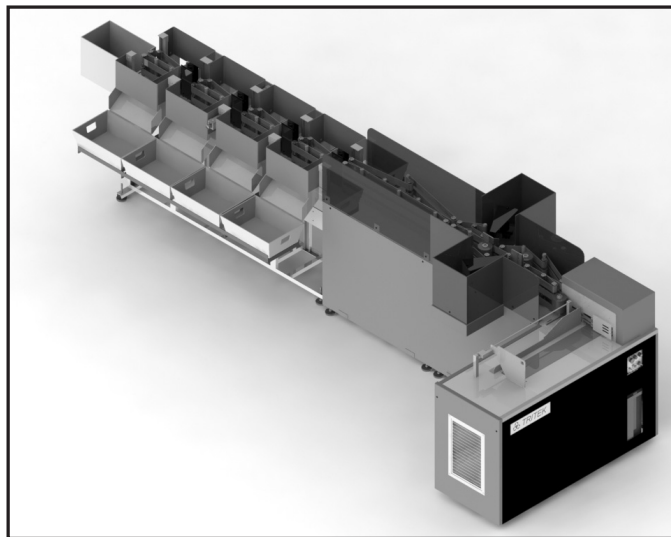
**DESCRIPTION:** Tritek is one of the most respected and recognized innovators of mail processing technology. Since 1988, Tritek has engineered patented, field-proven mailroom automation and document imaging solutions that improve productivity and mailroom cost-efficiency. Proprietary technology allows Tritek to exclusively manufacture a machine able to process the entire mail stream simultaneously on the same transport. This technology can be customized to support diverse industries. Tritek's clients include Fortune 100 and 500 companies, government and educational institutions, financial services, healthcare, insurance and fulfillment organizations. Tritek is headquartered in Wilmington, Delaware and has relationships with businesses worldwide.

**TRITEK COMPACT:** The Tritek Compact Series Equipment features a small footprint size for letter mail, flats and document processing. The compact design allows for large imaging over 300 dots per inch scanned omni directionally. Tritek's 12" inch by 17" inch scan area enables entire 8.5" by 11" inch documents to be scanned. It also scans legal sized documents. The Compact series is designed to time and date stamp documents and mail. It is Sarbanes Oxley compliant - a record is created and stored to a file. These records can then be searched or emailed whenever required. The mail piece is duplex scanned front and

back side as well as documents.

### **COMPACT ELITE:**

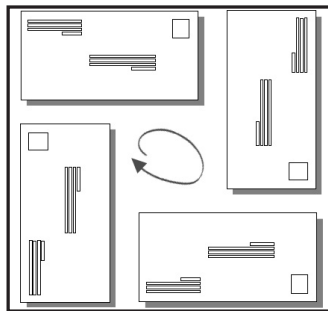
The Compact Elite is designed for email processing and imaging. The scan area enables complete front and back side imaging. These images are stored, time and date stamped for records retention or email delivery. The small footprint Compact Elite features large scale imaging in a compact machine size. The



*Tritek Compact Sorting System*

Compact Elite is less than 8 feet in length. The machine uses standard electrical power 115 volt AC. The Compact Elite interfaces with Tritek's Email Delivery System and Tritek Rule Editor Database Management Software. The Compact Series can be fitted with an ink jet printer or any number of Tritek sort bins or optional features. The standard machine has two sort bins for sorting processed items or rejected pieces.

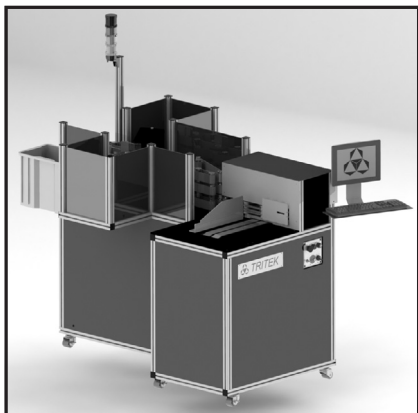
**TRITEK BARCODING/SORTING SYSTEMS:** Presort Mail (Weighing, Labeling and Manifesting); Process flats, letters, and mixed mail (postcards, letters, flats, magazines, newspapers); USPS MASS certified processing allows for presort discounts; Customize configurations to your needs: weighing, labeling, manifesting, barcoding, report printing, trays or bundles.



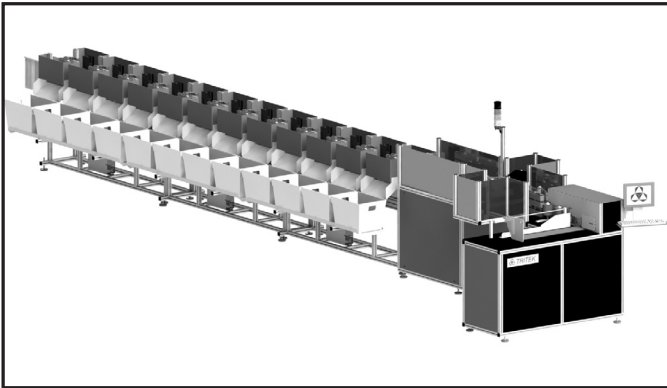
### **Read Address From Any Direction**

in a 12" x 17" viewing area, without adjustments, even on the front and backside of the mail piece! The recognition software captures an image of the entire document in grayscale. (Other reading applications can be integrated if desired.) The image can then be stored and tracked.

**INBOUND SORTING FEATURES:** Process letters or flats in up to 1024 USPS mail bins. Tritek's patented transport is the only machine that can process postcards, letters, flats and newspapers and sort them into your custom configuration of bins - up to 1024. Reads OCR, barcodes, type, script font and handwritten addresses. All Tritek sorters feature advanced Optical Character Recognition and bar code printing capabilities which enable our systems to automate even hand written addresses and to print the destination bar code on the mail piece during the sorting process. Whether your inbound mail address is typed or handwritten, Tritek's sorting machine can easily read and sort for you! Tritek advanced "read technology" sorters interpret script fonts and handwritten addresses.



*Tritek Compact Elite*



***Tritek Mixed Mail Sorter***

**NOMAD - HIGH RESOLUTION PORTABLE DOCUMENT SCANNER:** The Nomad is portable plugs into 120V AC receptacles and can read any type of document. It handles odd shapes such as handwritten notes, forms, or letters and any thickness ranging from single sheets to magazines. The high resolution 300 dpi imaging creates TIFF, PEG or PDF files in black & white or color. The workflow of all Tritek document scanning machines is highly configurable and integrates well with third party software applications. While Tritek includes Doc-U-Search - our own leading edge storage and retrieval software - the operator can select alternate applications to perform image capture, postscan processing or document indexing and storage.

**DIGITAL EMAIL DELIVERY:** An ideal solution for when you are out of the office and need to retrieve your mail. The Tritek Digital Email System is designed to deliver email notification of inbound mail to its recipients, as it is received each day, for internal company-mail distribution. You can also use the Tritek Digital Email System to deliver by email scanned images of contents of any mail piece.

**DIGITAL EMAIL DELIVERY FEATURES:** The Tritek Digital Email System: 1) Scans and captures images of both sides of an incoming mail piece; 2) Stores each image in a TIFF, JPEG, or PDF file; 3) Labels each image with the time and date received; 4) Labels each image with a unique identification number. The Tritek Digital Email System is available in various configuration and depending on the configuration, a Tritek Digital Email System can either sort the mail into a holding tub for future mail piece scanning or automatically sort the mail for in-house mail carrier delivery.

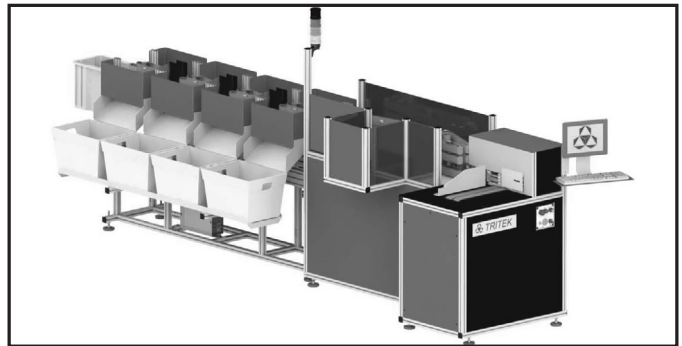
**TRITEK ACE PARCEL/FLATS/LETTER PROCESSING:** The Tritek ACE work station is designed to process parcels, flats and letters. ACE Work Station operation is simple, fast, and reliable. Operators place an item on the platform while overhead camera reads the mail piece which is displayed on the touch screen computer. After the item is read the operator touches the red print button and a label is printed for that mail item. The weight and postage rate is calculated as the manifest data is stored for USPS discount reporting.

The system automatically reads addresses and performs the following:

**INCOMING MAIL/PARCELS:** 1) Database match and look-up; 2) Label printing with delivery information; 3) Barcoding for tracking of



***Tritek Mobile ACE Workstation***



***Tritek Correct Elect Vote-By-Mail***

mail pieces or parcels; 4) Return mail processing; 5) Mail forwarding; 6) Research mail for generically addressed mail pieces; 7) Touch screen computer for easy operation; 8) Windows Software.

**Tritek Incoming Look-Up Database:** Tritek Incoming Mail Software allows many options to sort incoming mail. This document describes the basic system as well as options that allow for greater customization. When processing by names only, the Tritek system will locate an address (in any orientation), and search for all names in the names database.

**OUTGOING MAIL/PARCELS:** When used for presorting ACE performs: 1) USPS manifesting / weighing; 2) Prints label for each processed mail item; 3) Touch screen computer; 4) Automated Tritek address block OCR reader; 5) Operator keying when required; 6) USPS U-Move Fast Forwarding; 7) DRS look-up for USPS Presort discounts; 8) IMB - Intelligent Mail barcode printed on label manually affixed to item.

**RETURN MAIL:** Tritek equipment expunges bad addresses from your database to save on future postage. Easily interfaces with FastForward for move updates. Tritek has successfully operated a return mail facility for 15 years, processing mail for Chase, Citigroup and Morgan Stanley.

**CORRECT ELECT VOTE-BY-MAIL:** Tritek Correct Elect Vote-by-Mail Equipment is the solution for the processing of Vote-by-Mail ballots. Voters' signatures are detected with barcodes and are verified against a database of registered voters. Tritek offers its Correct Elect Vote-by-Mail Processing Systems in three configurations: 1) An inbound sorter to support up to to 1024 bins, optional overhead mail tray racks and other sorting options; 2) A portable system; 3) A desktop unit. These machines include real-time imaging, storing, printing of time and date in addition to properly sorting votes into correct precincts. Patented feeder technology allows smooth operations over a variety of mail types.

**CORRECT ELECT VOTE-BY-MAIL FEATURES:** Exclusive patent lets municipalities process Vote-by-Mail ballots. Tritek holds the exclusive patent on ballot method and apparatus to provide full audit trail, ballot process management and status reporting. Scans can be archived in color, gray-scale or black and white. Accurate signature verification reduces labor costs of manual or semi-automatic validation and improves regulatory and security compliance. Voters' signatures are detected with barcodes and are verified against a database of registered voters. The Tritek inbound sorter can support up to to 256 bins, optional overhead mail tray racks, and other sorting options. We also offer a portable system and a desktop unit. These machines include real-time imaging, storing, printing of time and date in addition to properly sorting votes into correct precincts. Tritek's advanced OCR and mail processing software provides audit trail capability. Scans can be archived in color, gray-scale or black and white.

See Tritek listing in *Incoming Mail Sorters and Digital Mail sections.*

**CONTACT:** To learn more about Tritek call (866) 663-8224 or visit [www.tritek.com](http://www.tritek.com) or email [solutions@tritek.com](mailto:solutions@tritek.com).