

Address/Barcode Printers



Kirk-Rudy FireJet 4C Color Inkjet Printing System

XColor RIP and color management software make the FireJet and all-in-one Digital Color Press capable of producing direct mail, variable data forms and high quality color envelopes.

CONTACT: For more information, call 770-427-4203 or email info@kirkrudy.com.

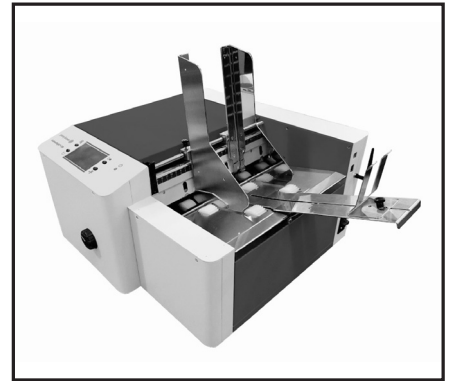
for, along with the quality and reliability from Memjet and their new DuraFlex technology. This new breed of inkjet printer offers a profitable alternative to the smaller desktop, toner-based digital color printers on the market today, as well as a low cost alternative to larger production press systems. With its 12.75" printhead, it can produce high quality 1600 x1600 dpi color images and reach speeds of 150 ft/min. The FireJet 4C uses pigment aqueous inks and has a long printhead life.

Kirk-Rudy's powerful

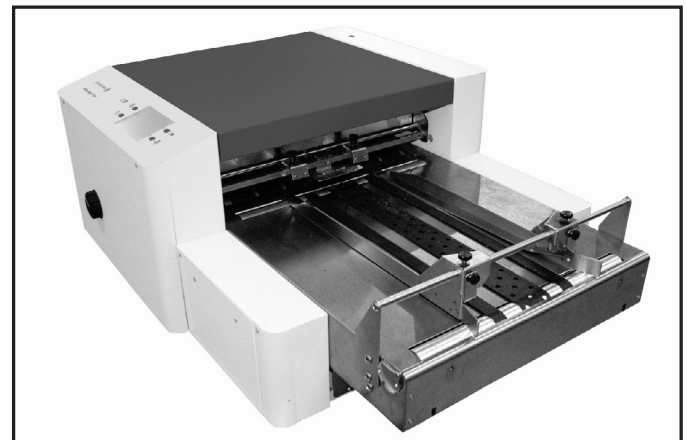
velopes per hour, optimizing performance and saving costs along the way. The printer connects easily to an existing network allowing for print job processing on any computer. This system offers spot color as well as extensive fonts and graphics to make the mail piece as creative as you want it to be.

AddressRight 200

printer handles multiple media sizes up to 3/8" thick, prints in four print qualities, and works with our Envelope Design tool, which allows you to create your own design and view the envelope image on screen. It is also small enough to fit in an office or mailroom environment. Use the AddressRight 200 in tandem with one of our mail management software



PB AddressRight 200 Envelope Printer



PB AddressRight 300 Envelope Printer

solutions, such as, ConnectRight™ Mailer to help you cleanse your address list ensuring delivery to your target customer and take advantage of pre-sort discounts.

ADDRESSRIGHT 300 FIXED HEAD ADDRESSING PRINTER: Designed for frequent mailers, the AddressRight® 300 fixed-head envelope printer delivers optimum performance and dependability. Printing up to 26,000 #10 envelopes per hour, the AddressRight 300 can print addresses, barcodes and customized messages in one pass. The AddressRight 300 is the workhorse of address printers and can handle media up to 1/2" thick allowing for increased mail piece thickness and greater flexibility. It also works with our Envelope Design tool, which allows you to create your own design and view the envelope image on screen. While focused on productivity and performance this system offers spot color to make the mail piece as creative as you want it to be. Its fixed print heads deliver crisp precise direct-to-envelope imaging creating a professional mail piece that makes an impact.

OPTIONS: The optional Integrated Conveyor Stacker and High-Output Ink Dryer will pause when an error is detected or if the printer runs out of material or when the stacker is full – giving your operator time to resolve a problem and get production up and running again to complete the job.

CONTACT: For more information call 877-682-7687 or visit Pitney Bowes at PitneyBowes.com.

22 § Pitney Bowes Inc.

CATEGORY: Address/Barcode Printers

PRODUCT: AddressRight Printers

COMPANY: Pitney Bowes Inc., 3001 Summer Street, Stamford, CT 06926-0700. Tele: 877-682-7687. Web: PitneyBowes.com

ADDRESSRIGHT 100 FIXED HEAD ADDRESSING PRINTER:

The AddressRight® 100 envelope printer can print up to 22,000 #10 envelopes per hour, optimiz-



PB AddressRight 100 Envelope Printer

ing performance and saving costs along the way. The printer connects easily to an existing network allowing for print job processing on any computer. This system offers spot color as well as extensive fonts and graphics to make the mail piece as creative as you want it to be. The AddressRight 100 printer handles multiple media sizes up to 1/4" thick, prints in four print qualities, and works with our Envelope Design tool, which allows you to create your own design and view the envelope image on screen. It is also small enough to fit in an office or mailroom environment. Use the AddressRight 100 in tandem with one of our mail management software solutions, such as, ConnectRight™ Mailer to help you cleanse your address list ensuring delivery to your target customer and take advantage of presort discounts.

ADDRESSRIGHT 200 FIXED HEAD ADDRESSING PRINTER:

The AddressRight® 200 envelope printer can print up to 22,000 #10 en-

velopes per hour, optimiz-

ing performance and saving costs along the way. The printer connects easily to an existing network allowing for print job processing on any computer. This system offers spot color as well as extensive fonts and graphics to make the mail piece as creative as you want it to be. The AddressRight 100 printer handles multiple media sizes up to 1/4" thick,