

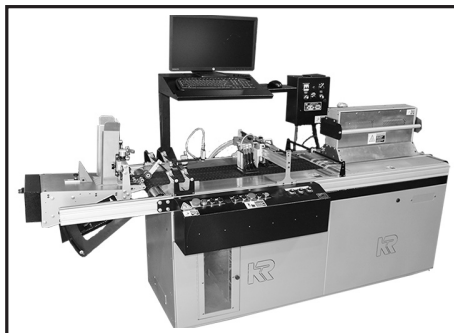
## § Kirk-Rudy, Inc.

**CATEGORY:** Address/Barcode Printers

**PRODUCT:** Inkjet Printing Systems

**COMPANY:** Kirk-Rudy, Inc., 125 Lorraine Parkway, Woodstock, GA 30188. Contact: info@kirkrudy.com. Phone: 770-427-4203.

**NETJET:** Kirk-Rudy's best-selling inkjet addressing system NetJet offers the latest inkjet technology along with a new and improved user interface.



**Kirk-Rudy KR NetJet**



**Kirk-Rudy KR NetJet**



**Kirk-Rudy UltraJet v21**

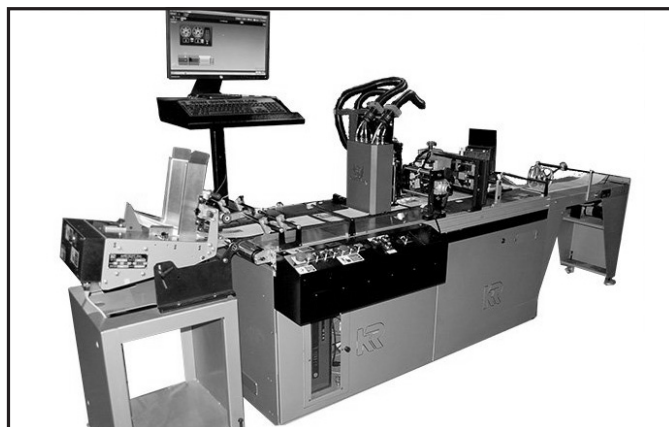
appear crisp, dark and professional-looking. WaveJet's custom designed ink and high-resolution inkjet technology means operators no longer have to sacrifice print quality for versatility.

**KRC500 KOLORJET:** The KRC500 KolorJet is Kirk-Rudy's latest innovation in high-speed color printing. Easily add color images, graphics, and variable data to envelopes and documents for more effective communication. The KRC500 KolorJet printer offers excellent color print quality at high speeds. Increase promotional effectiveness and response rates

at a maximum. If additional functionality is needed, Net-Jet offers several unique options such as 1/2" of moveable print and an integrated service station that automatically caps cartridges between uses, keeping them from drying out.

**ULTRAJET V21:** Designed for maximum uptime this high-resolution inkjet system provides a versatile, cost effective solution to meet the need for variable data printing on a large variety of coated and uncoated substrates. The 2.12" print area provides consistent 600 dpi quality at high speeds. A system can be configured with up to four heads and it's small format allows easy positioning on production lines.

**WAVEJET ADDRESSING SYSTEM:** Print on aqueous coated stock using Kirk-Rudy's WaveJet Addressing System. Use WaveJet to print great-looking addresses and graphics on a wide variety of paper including most non-porous, coated stocks. WaveJet allows users to offer customers more of what they're looking for: eye-catching ads on glossy paper. Images



**Kirk-Rudy KR Phoenix Inkjet System**

with high-speed, high-quality variable color added to envelopes and web-printed pages. Produce color images, graphics, and variable data 600 dpi at 500 fpm with four 4.25" printheads. Offering a low total cost of ownership, the KRC500 KolorJet Print Module is an affordable option for adding process color versus stand-alone equipment.

**KR PHOENIX INKJET PRINT SYSTEM:** The Phoenix

is a Drop on Demand variable data inkjet printing system. Utilizing one of the fastest and highest resolution inkjet print head technologies, the Phoenix meets the increasing and rigorous demands for printing variable addresses, graphics, barcodes and texts on coated and uncoated substrates. The modular design offers greater flexibility to combine the Phoenix with different technologies, such as feeding, UV curing, and camera inspection. The Phoenix offers the latest inkjet technology coupled with Kirk-Rudy's product handling systems; making it extremely versatile. With UV curable, water-based and MICR inks offered at low cost with bulk supply that comes standard, Phoenix makes operational sense.



**Phoenix Inkjet**

**KR PHOENIX 4C UV INKJET PRINTING SYSTEM:** The Phoenix 4C UV can easily be integrated into any existing press as a digital add-on module, turning it into a cost-effective color digital press. Utilizing one of the fastest and highest resolution inkjet print head technology, it meets the increasing and rigorous demands for printing barcodes, serial numbers, dates, times, and text on coated and uncoated substrates. The modular design offers greater flexibility to combine the KR Phoenix4C UV printing System with different technologies, such as feeding, UV curing, & camera inspection. Print clear, sharp images & barcodes on products with the patented, multi-angle adjustment mounting bracket that enables the operator to adjust the angle of the X, Y, and Z-axis directions for each print head module. The KR Phoenix 4C UV printing system is suitable for printing nearly anything from books to catalogs to envelopes.

**KR FIREJET 4C:** Kirk-Rudy's most recent innovation is an all-in-one printing system that combines the heavy-duty transport they are famous



**KRC500 Kolor Jet Printer**

# Address/Barcode Printers



**Kirk-Rudy FireJet 4C Color Inkjet Printing System**

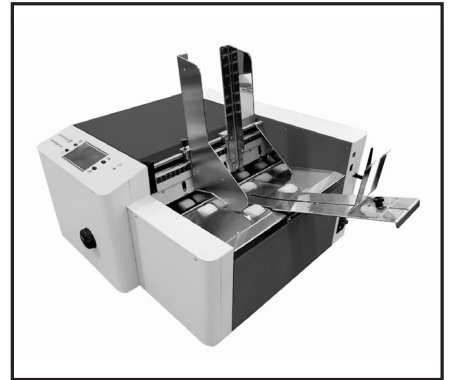
XColor RIP and color management software make the FireJet and all-in-one Digital Color Press capable of producing direct mail, variable data forms and high quality color envelopes.

**CONTACT:** For more information, call 770-427-4203 or email [info@kirkrudy.com](mailto:info@kirkrudy.com).

for, along with the quality and reliability from Memjet and their new DuraFlex technology. This new breed of inkjet printer offers a profitable alternative to the smaller desktop, toner-based digital color printers on the market today, as well as a low cost alternative to larger production press systems. With its 12.75" printhead, it can produce high quality 1600 x1600 dpi color images and reach speeds of 150 ft/min. The FireJet 4C uses pigment aqueous inks and has a long printhead life.

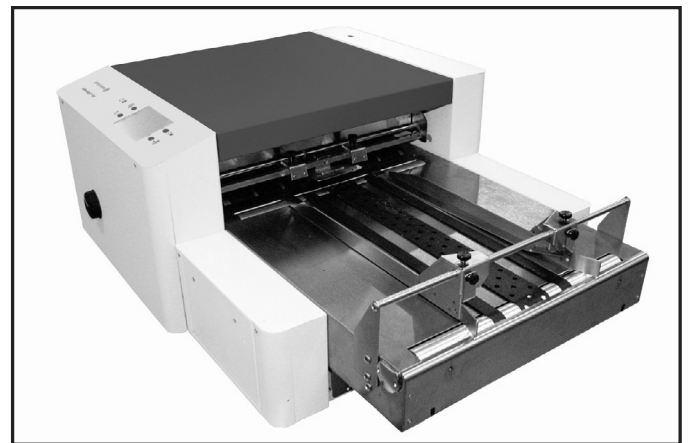
Kirk-Rudy's powerful

velopes per hour, optimizing performance and saving costs along the way. The printer connects easily to an existing network allowing for print job processing on any computer. This system offers spot color as well as extensive fonts and graphics to make the mail piece as creative as you want it to be.



**PB AddressRight 200 Envelope Printer**

AddressRight 200 printer handles multiple media sizes up to 3/8" thick, prints in four print qualities, and works with our Envelope Design tool, which allows you to create your own design and view the envelope image on screen. It is also small enough to fit in an office or mailroom environment. Use the AddressRight 200 in tandem with one of our mail management software



**PB AddressRight 300 Envelope Printer**

solutions, such as, ConnectRight™ Mailer to help you cleanse your address list ensuring delivery to your target customer and take advantage of pre-sort discounts.

**ADDRESSRIGHT 300 FIXED HEAD ADDRESSING PRINTER:** Designed for frequent mailers, the AddressRight® 300 fixed-head envelope printer delivers optimum performance and dependability. Printing up to 26,000 #10 envelopes per hour, the AddressRight 300 can print addresses, barcodes and customized messages in one pass. The AddressRight 300 is the workhorse of address printers and can handle media up to 1/2" thick allowing for increased mail piece thickness and greater flexibility. It also works with our Envelope Design tool, which allows you to create your own design and view the envelope image on screen. While focused on productivity and performance this system offers spot color to make the mail piece as creative as you want it to be. Its fixed print heads deliver crisp precise direct-to-envelope imaging creating a professional mail piece that makes an impact.

**OPTIONS:** The optional Integrated Conveyor Stacker and High-Output Ink Dryer will pause when an error is detected or if the printer runs out of material or when the stacker is full – giving your operator time to resolve a problem and get production up and running again to complete the job.

**CONTACT:** For more information call 877-682-7687 or visit Pitney Bowes at [PitneyBowes.com](http://PitneyBowes.com).



**PB AddressRight 100 Envelope Printer**

prints in four print qualities, and works with our Envelope Design tool, which allows you to create your own design and view the envelope image on screen. It is also small enough to fit in an office or mailroom environment. Use the AddressRight 100 in tandem with one of our mail management software solutions, such as, ConnectRight™ Mailer to help you cleanse your address list ensuring delivery to your target customer and take advantage of presort discounts.

**ADDRESSRIGHT 200 FIXED HEAD ADDRESSING PRINTER:** The AddressRight® 200 envelope printer can print up to 22,000 #10 en-

## § Pitney Bowes Inc.

**CATEGORY:** Address/Barcode Printers

**PRODUCT:** AddressRight Printers

**COMPANY:** Pitney Bowes Inc., 3001 Summer Street, Stamford, CT 06926-0700. Tele: 877-682-7687. Web: [PitneyBowes.com](http://PitneyBowes.com)

**ADDRESSRIGHT 100 FIXED HEAD ADDRESSING PRINTER:**

The AddressRight® 100 envelope printer can print up to 22,000 #10 en-

velopes per hour, optimizing performance and saving costs along the way. The printer connects easily to an existing network allowing for print job processing on any computer. This system offers spot color as well as extensive fonts and graphics to make the mail piece as creative as you want it to be. The AddressRight 100 printer handles multiple media sizes up to 1/4" thick,