

Postage Meters/Mailing Systems

NEOFUNDS APP: Provides the flexibility and convenience of funding iMeter with “download now, pay later” NeoFunds postage financing plan. Add postage dollars to one’s iMeter with the click of a button. Instead of pre-funding the postage account, users will receive a monthly invoice for actual postage dollars that have been downloaded.

NEOSHIP: NeoShip ensures full IM@pb compliance from the USPS® for all your package shipping requirements. As an option for our IS, IM and IN-Series mailing systems, shipping directly from your desktop has never been easier. Simply access NeoShip through your MyNeopost online account, follow the illustrated prompts and create your shipping label. Save Time by Eliminating Trips to the Post Office. Benefit from the Cost Savings Associated with Commercial Base Pricing. Obtain an Online Consolidated View of All Shipments. Create Summary and Detailed Reports Based on Shipment History, Operator Shipments and/or Transactions. Apply Free Insurance on PriorityMail® and Priority Mail Express™ Items.

NEOSHIP ADVANCED: NeoShip ADVANCED provides an intuitive single-screen interface that streamlines the process of shipping domestic and international parcels. This multi-carrier solution allows you to select from USPS®, FedEx® or UPS®, expanding the number of options you have when it comes to processing and tracking shipments.

LOW INK EMAIL ALERTS APP: Notify users when it is time to re-order ink. The online server monitors ink supply.

CONTACT: For more information, call (800-636-7678) or click www.neopost.com.



Pitney Bowes SendPro Online Software

§ Pitney Bowes Inc.

CATEGORY: Postage Meters / Mailing and Shipping Systems

PRODUCT: SendPro®C, SendPro®+, SendPro®Online; SendPro®Tablet, SendPro® P-Series, DM-Series

COMPANY: Pitney Bowes Inc., 3001 Summer Street, Stamford, CT 06926-0700. Tele: 877-682-7687. Web: PitneyBowes.com

SENDPRO® ONLINE SOFTWARE: SendPro® is cloud-based software that lets you send mail and manage multi-carrier shipments from one portal. Use SendPro as a desktop application for one or multiple users and now, one or more locations - the perfect complement to your postage meter for shipping packages. With SendPro, you can compare mailing and shipping options to achieve the best savings for US Postal Service packages or shipments with other carriers. This solution has an ultra-easy interface that simplifies the shipping process. With one address book, users can pull recipient information and print compliant shipping labels. SendPro also gives you one-click access to account history for easy expense control and active monitoring of your shipments.

SENDPRO®C: Eliminate trips to the post office with our easy to use solution for USPS® office mailing and small package shipping. Quickly print discounted postage and seal envelopes at speeds up to 65 letters per minute. Accurately weigh small packages with integrated 5 pound scale to ensure you always pay the right rate. Integrated, pre-loaded apps let you track the status of shipments, deliveries and postage spend across multiple departments. Included access to SendPro Online allows you to mail and ship via USPS from any computer anytime, anywhere.



Pitney Bowes SendPro C

SENDPRO®+: There’s a better way to ship with our easy to use, all-in-one sending technology for multi-carrier shipping and mailing. Easily compare rates across the three major carrier (USPS®, UPS® and FedEx®) and accurately weigh packages with integrated 15 pound scale to ensure you always pay the right amount. Quickly print discounted postage and seal envelopes at speeds up to 65 letters per minute. Integrated, pre-loaded apps let you track the status of shipments, deliveries and spend across multiple departments. Included access to SendPro Online allows you to mail and ship across all three major carriers from any computer anytime, anywhere.



Pitney Bowes SendPro+

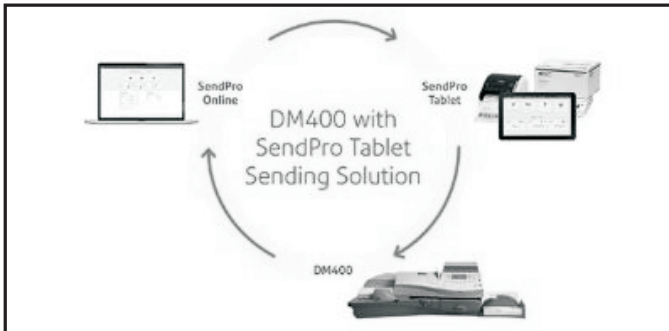
SendPro®Tablet: Easily ship all of your packages from anywhere in the office with our one of a kind smart technology tablet solution. The large, lightweight, 10.5” Samsung® tablet lets you easily compare discounted, pre-negotiated rates across multiple carriers (USPS®, UPS®, and FedEx®) and save. The included external scale and label printer weighs packages up to 70 pounds and automatically populates shipping labels. Integrated access to the partner marketplace provides discounted services to help you manage and grow your business digitally. Pre-loaded apps let you track the status of shipments, deliveries and spend across multiple departments. Included access to SendPro Online allows you to mail and ship across all three major carriers from any computer anytime, anywhere.



Pitney Bowes SendPro Tablet

DM400™ WITH SENDPRO® TABLET: Our easy-to-use hardware and software sending solution simplifies your office mailing and shipping from virtually anywhere in your office. Mail letters up to 120 pieces per minute and flats directly from your DM400. Weigh and ship packages up to 70lbs with the SendPro Tablet for added mobility. Compare prices, track sending activity, and save more money with integrated apps. Manage sending from any computer with access to SendPro Online.

Postage Meters/Mailing Systems



Pitney Bowes DM400 with SendPro Tablet



Pitney Bowes SendPro P1000 Mailing & Shipping System



Pitney Bowes DM475 Digital Mailing System



Pitney Bowes SendPro P1500 Mailing & Shipping System

DM475™ DIGITAL MAILING SYSTEM: The DM475 is an ideal mid-volume mailing solution. It's an excellent starting-point when your organization needs in-line weighing, dimensional rating, and the ability to process mixed weight and sized mail. The DM475 automatically feeds, seals and imprints correct postage, operates at speeds of up to 120 letters per minute, up to 80 LPM in WOW mode, and handles a variety of materials up to 5/16" thick and sizes ranging from postcards to 13" x 15" flats. Weigh-on-the-Way™ technology is standard on the DM475 and its color graphics display and QWERTY keyboard is great for fast and easy operation. Convenient features include the ability to replenish postage 24/7, automatic rate change updates, online access to USPS Special Services including Delivery Confirmation, Signature Confirmation and Electronic Return Receipt. Additional features include the ability to track up to 50 postage accounts and print or export data to PCs. Complement your DM475 with SendPro® online software for shipping packages with the major carriers.

SENDPRO® P SERIES MAILING & SHIPPING SYSTEMS: The SendPro P Series simplifies the process of mailing, shipping and receiving by integrating all three applications into a single comprehensive system. For letter mail, the system will seal and print postage for your short and longer runs at reliably high speeds. Each system handles thin or thick mail as well as small or large envelopes. For packages, the P Series takes away guesswork by allowing you to review services provided by USPS and the major carriers. Now, you can get your packages delivered with the best cost and delivery options available. With the integrated receiving application, you can accurately log all of your incoming packages' information so that you have an accurate history of every package that has been delivered to your office. Pitney Bowes offers 4 SendPro P Series models for mailers of all sizes: P1000, P1500, P2000, and P3000.

SENDPRO™ P1000: This economical mid-volume mailing and shipping system is the first of its kind that can print targeted marketing or sales messages across the top of an envelope. With two integrated printers, users can print postal indicia and inscriptions in black or red, and

choose black or 4-process color to print graphics, logos and messages on envelopes. No more buying, printing and storing custom envelopes when users can print their own as they go. The SendPro P1000 simplifies operations by integrating a shipping label printer. It offers a full range of non-WOW interfaced weighing options over 70 lbs., with processing speeds of up to 180 letters per minute. With an easy-to-use, intuitive color touch-screen interface, users can quickly and easily access all of their printing and mailing applications, making their operation run like clockwork.

SENDPRO® P1500: This system offers all the advantages of the SendPro P1000 with the addition of the Weigh-on-the-Way™ (WOW™) feature. With this technology, users can weigh and process mixed-sized mail up to 5/8" thick in a single pass at speeds of up to 70 letters per minute or 145 in non-WOW. A powerhouse of productivity designed for the small to mid-sized mail area, this system offers great flexibility. The system comes standard with a 10 lb. integrated weighing platform for large envelopes and packages. It's simple to learn and operate with its intuitive color touchscreen user interface and application-based navigation. Users can also simultaneously print marketing messages in black or optional 4-process color.

SENDPRO® P2000: Like the P1500, this system offers all the advantages of Weigh-on-the-Way™ (or WOW). The P2000 is an even faster solution that can weigh and process mixed-sized mail up to 5/8" thick in a single pass at speeds of up to 110 letters per minute or 180 in the non-WOW mode. A powerhouse of productivity designed for the mid-sized mail area, this system offers great flexibility. It's simple to learn and operate with its intuitive color touchscreen user interface and application based navigation. Users can also simultaneously print marketing messages and postal indicia with printing modules in black or optional 4-process color. The SendPro P2000 also enables users to download software updates, send reports, check postage rates and get support, right on the machine, giving a high level of operator flexibility.

SENDPRO® P3000: This high-powered production system is the fastest of its kind and can produce up to 310 letters per minute. With its



Pitney Bowes SendPro P2000 Mailing & Shipping System



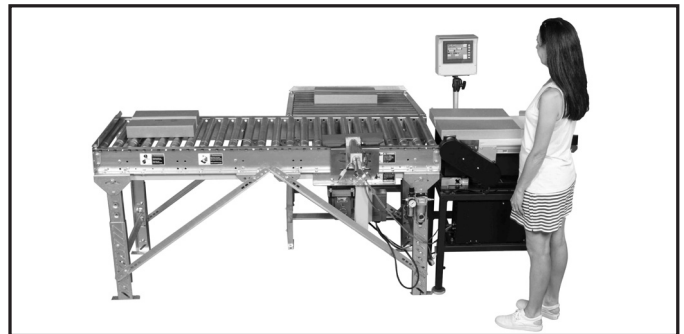
Pitney Bowes SendPro P3000 Mailing & Shipping System

4-process color capabilities, it prints custom envelopes with transpromotional marketing messages on demand, making every envelope an opportunity to generate revenue. It's easy to use and maintain with an intuitive color touch-screen display and icons, application-based navigation and web connectivity. The web-based architecture allows for high-speed transfer of data and information directly to and from one system. Program an unlimited amount of jobs, effectively manage postage funds, verify addresses, track packages and more, directly from one system. The SendPro 3000 offers high capacity options such as a Drop or Power Stacker, 15" Touch-screen Display, Shape Based Rating capabilities, Barcode Scanner and External Report Printer to help make you operate at peak capacity.

DM INFINITY™ PRODUCTION MAIL SYSTEM: The DM Infinity is the first USPS-approved high-speed digital metering solution for the production mail environment, metering mail up to 26,000 mail pieces per hour. Everything about the DM Infinity Series Digital Mailing System is designed to make high-volume mailings more powerful, productive and profitable than ever before. The DM Infinity can lower postage costs for mixed-weight mail with Weigh-On-The-Fly, increase throughput by 5 - 20% with faster speeds and fewer jams, reduce return mail costs through improved print quality, enable easier postage reconciliation due to fewer outsorts, reprints and stoppages, and reduce maintenance requirements with an innovative, reliable component design, compared to the R150. The DM Infinity can process mixed weight mail on a single meter utilizing Reset-on-the-Fly technology and enables a shorter footprint on new Pitney Bowes inserter systems. It is easy to use and offers plug and play replacement for production mailers' existing R150 meters.

FEATURES: The DM Infinity's patented dual print heads and ink cartridges provide virtually non-stop printing and a no-mess environment. It also offers the ability to print ad slogans, images and postal inscriptions on the indicia, which can help readability rates and support marketing efforts. The DM Infinity is the first meter to print a black indicia that is crisp and easy to read with patented, fast drying ink that will not smudge even at the highest processing speeds.

CONTACT: For more information call 877-682-7687 or visit Pitney Bowes at PitneyBowes.com.



US-6000 Carton Check-Weigh System

§ Advanced Poly-Packaging, Inc.

CATEGORY: Scales

PRODUCT: US-6000 Carton Check-Weigh System

COMPANY: Advanced Poly-Packaging, Inc., 1331 Emmitt Road, Akron, OH 44306. Key Contact: Paul Orosz. Phone: 800- 754-4403. Email: sales@advancedpoly.com.

DESCRIPTION: Accurate shipping is the final checklist item before a package is sent to its destination. Our check-weigh system is accurate within 5 grams. It is designed for cartons 3" x 3" to 18" x 24" and weighing up to 50 lbs that are typically fed from a box taper. The package is weighed on the US-6000, then fed onto a roller conveyor. A pusher assembly pushes the carton that does not meet the desired weight to the gravity reject roller conveyor for further inspection.

FEATURES: Pusher discharge/reject assembly, driven roller exit conveyor (accept) & gravity conveyor (reject), accuracy chart & history, touch screen controlled with over/under/accept display, PLC operated.

CONTACT: For more information, call 800-754-4403 or email sales@advancedpoly.com.

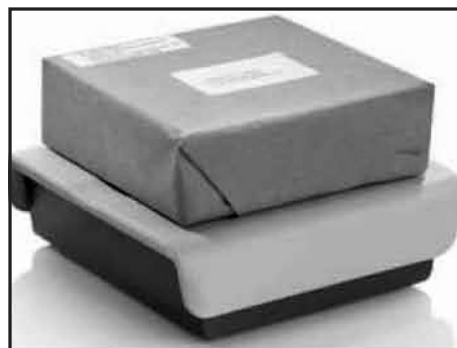
§ Neopost USA

CATEGORY: Scales

PRODUCT: Neopost Scales

COMPANY: Neopost USA, 478 Wheelers Farms Rd., Milford, CT 06461. Phone: 800-NEOPOST (636-7678).

ISWP-10/30/70: The ISWP-10/30/70 weighing platforms connect to any Neopost IN-Series mailing machine. Ready to use out of the box, users



ISWP-10/30/70

can easily install the scale with no calibration needed. By adding the differential weighing option, which weighs each piece as it is removed from the stack on the platform, mailing operation efficiency is further increased.

CONTACT: For more information,

call (800-636-7678) or click www.neopost.com.